

Technical Data Sheet

Heritage 8021, 8022, and 8023: Universal Baffle Replacement Kit

Kit #90-76230

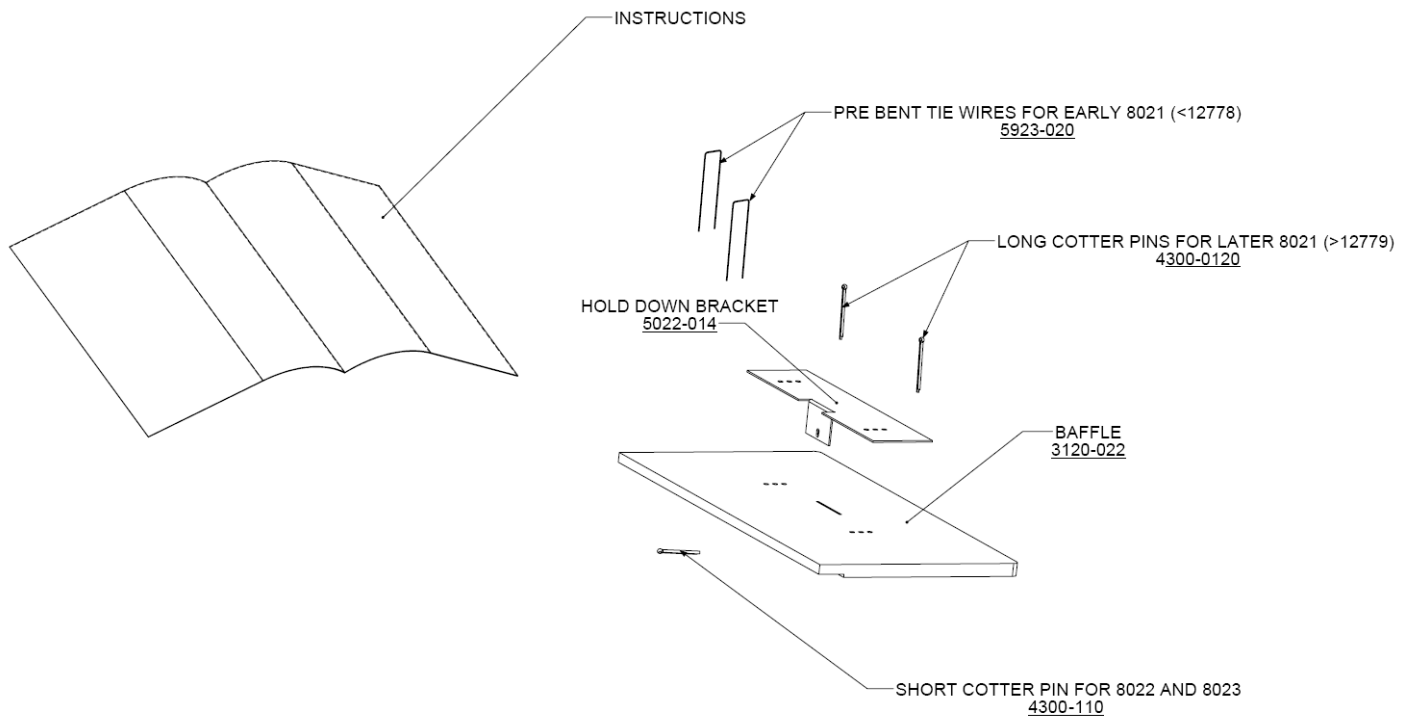
INCLUDED IN KIT:

- 1 – 3120-022: Ceramic Baffle
- 2 – 4300-0120: 1/8"x2" Cotter Pins
- 1 – 5022-014: Baffle Bracket Plate
- 2 – 5923-202: Baffle Tie Downs

TOOLS REQUIRED:

- Pliers
- Safety Glasses
- Work Gloves

BEFORE YOU BEGIN: Check to make sure you have all the components listed in the kit. Read the instructions all the way through. Always work on a cool stove. To remove the original baffle, free it by removing the retaining cotter pins or wires. Lift the back end of the baffle up until the front end clears the front pipe and it can be drawn out between the front and middle air pipes. (see step one and two of the procedure)



Kit Contents

PROCEDURE:

1. For the 8021 and 8022 note the position of the front baffle support bracket. Remove the cotter pin in the center of the front tube if needed and save for later reinstallation.
2. Lift the front baffle support off of the front tube and bring it out of the stove.
3. Examine the baffle board. You will notice two rounded corners on the board - these will go toward the back of the stove.
4. Position the steel plate so that the six holes are closer to the front edge and push the tab with single hole down through the baffle board.
5. If you are installing the baffle in the Heritage model 8021, determine how the original board was retained. As you remove the original board, note if there were two cotter pins holding it to the center air pipe.
 - If yes, push the two longer cotter pins down through the center hole on each side of the bracket plate and through the ceramic baffle. Place the new board and steel bracket with the cotter pins hanging down through the baffle into the stove. Carefully pass the baffle up through the space between the front and middle tube making sure not to disturb the cotter pins. Drop the two new cotter pins down through the holes in the top of the center tube. With the pliers, bend the ends of the pins now exposed through the bottom of the center air pipe.
 - If no pins were present, install the two wire tie downs to retain the baffle before placing it into the stove. Form the wires into a staple shape, as shown in the illustration. Push the two ends of wire down through the first and third holes on each side of the baffle bracket. Position the baffle in the stove so that one end of the wire is in front of the center pipe and one is behind it. Tie a knot in each of the tie down wires to secure the bracket and baffle to the center air pipe.
6. If you are installing the baffle into either the 8022 or 8023 version of the Heritage, position the new baffle above the secondary air pipes. Reusing the cotter pin from the original baffle bracket, insert it through the hole in the face of the bracket tab that is now in front of the middle air tube. Once in place, bend the cotter pin with the pliers to keep the bracket in baffle in place.
7. Reinstall the front baffle support bracket and its cotter pin by reversing step one and two.