

# Technical Data Sheet

## Installation of the Manchester 8360 Close Clearance Heat Shield *Kit 93-68600*

### **INCLUDED IN KIT:**

<u>Quantity</u>	<u>Part Name</u>	<u>Part Number</u>
1	Close Clearance Heat Shield	(included in kit 93-68600)

### **TOOLS REQUIRED:**

3/8" Wrench

**BEFORE YOU BEGIN:** *Install on a cool stove only!!*

### **INSTALLATION PROCEDURE:**

1. Remove the two 10-24 acorn nuts and washers attaching the top casting to the body of the stove using the 3/8" wrench (see Figure 1).
2. Remove the top casting by lifting it up and off the stove and carefully set aside. The top casting can also be lifted slightly and held aloft enough for step 3 below by placing 4 ea. 2x4 spacers diagonally at each corner between the top casting and body of the stove.
3. Facing the back of the stove, hold the Heat Shield vertically with the two legs oriented up and the single leg down.
4. Position the Heat Shield over the rear flue plate and tilt it slightly backward at the top (two leg top farther from stove than one leg bottom).
5. Align the single bottom leg of the Heat Shield with the top edge of the rear casting directly below the rear flue plate.
6. Gently insert the single bottom Heat Shield leg in the space between the top edge of the rear casting and bottom edge of the rear flue plate
7. Continue inserting the bottom leg until the top two Heat Shield leg foot tabs can be hooked over the top edge of the rear flue plate.
8. Gently tilt the Heat Shield back to true vertical and slide the entire unit down until all foot tabs are fully engaged behind the rear casting (see Figure 2).
9. Carefully set the top casting back onto the top of the stove and reinstall the nuts and washers on the mounting studs.

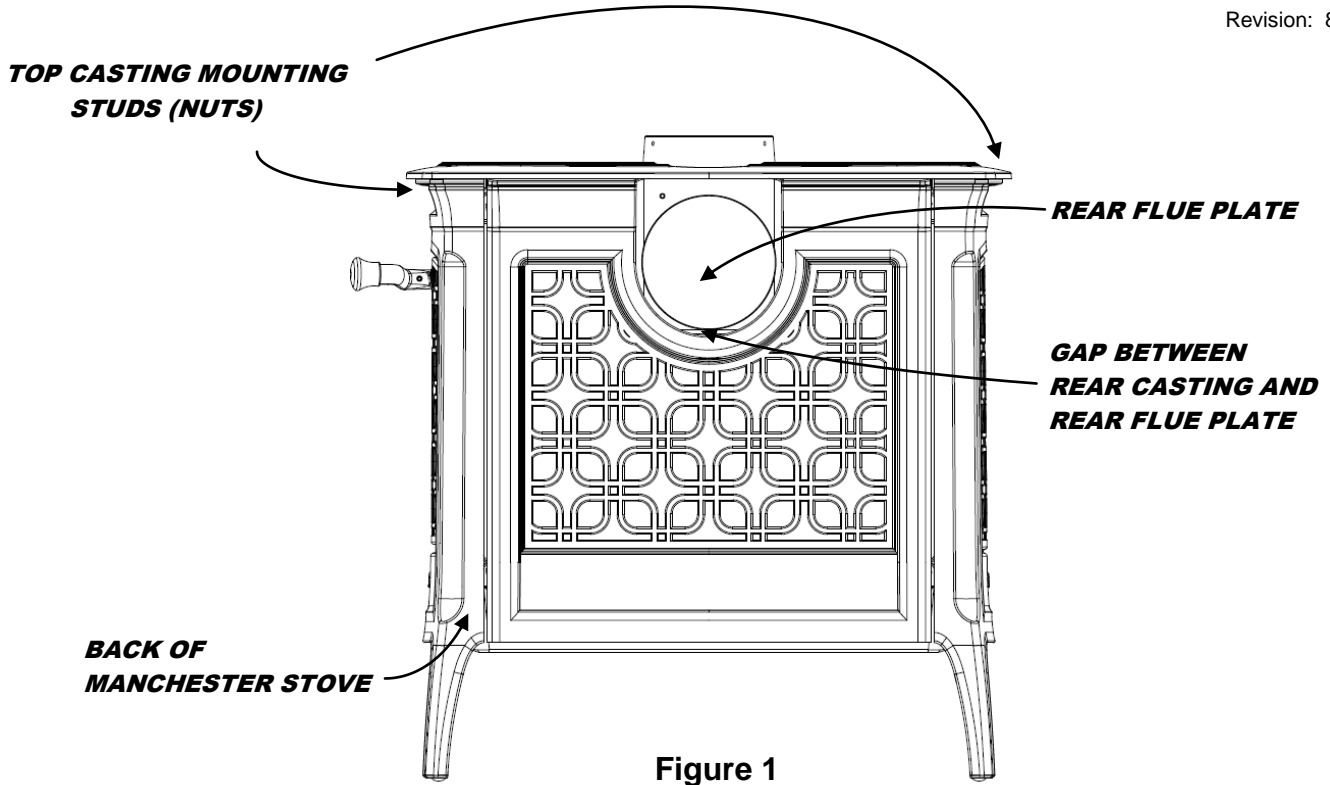


Figure 1

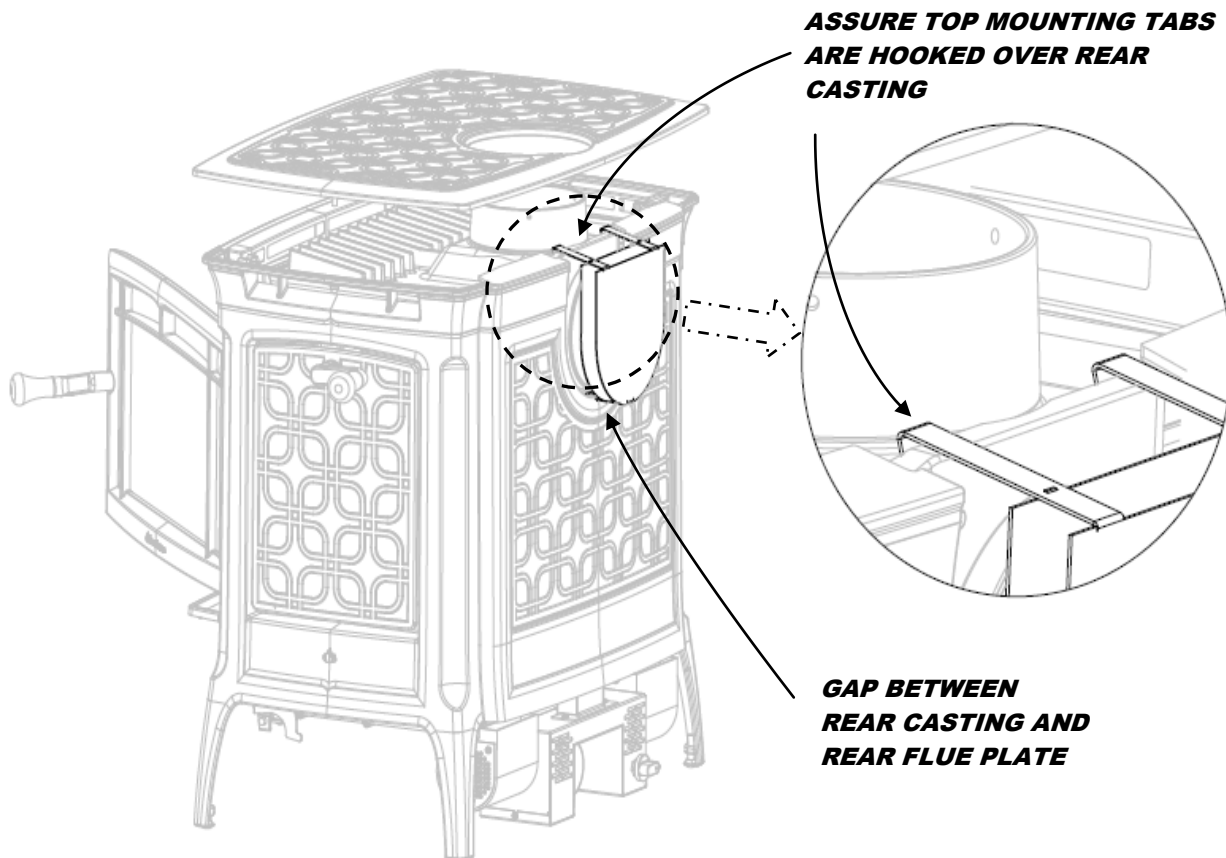


Figure 2