

## Technical Data Sheet

### Lincoln 8060 Replacement Baffle Kit Installation *Assembly 90-76600*

**INCLUDED IN KIT:**

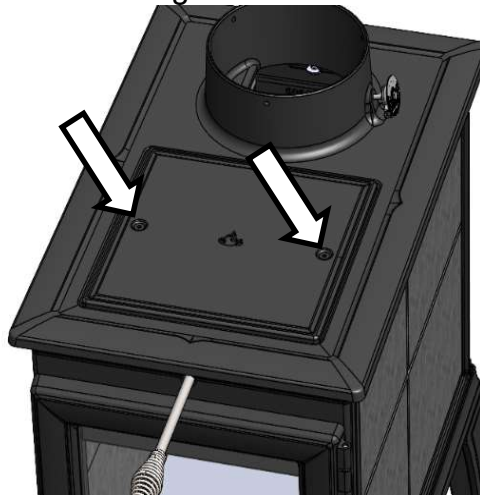
(1) 3120-060 Baffle

**TOOLS REQUIRED:**

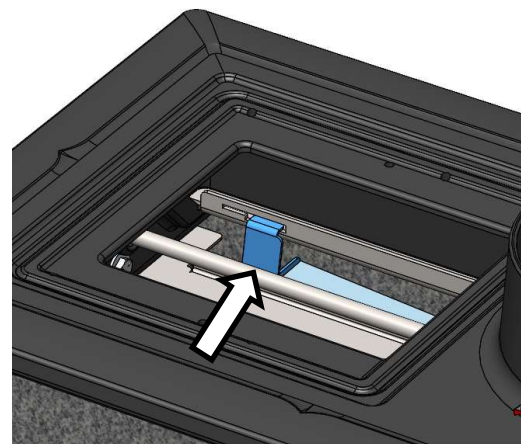
5/32 Allen Wrench

**Before You Begin:** Only work on a cool stove.

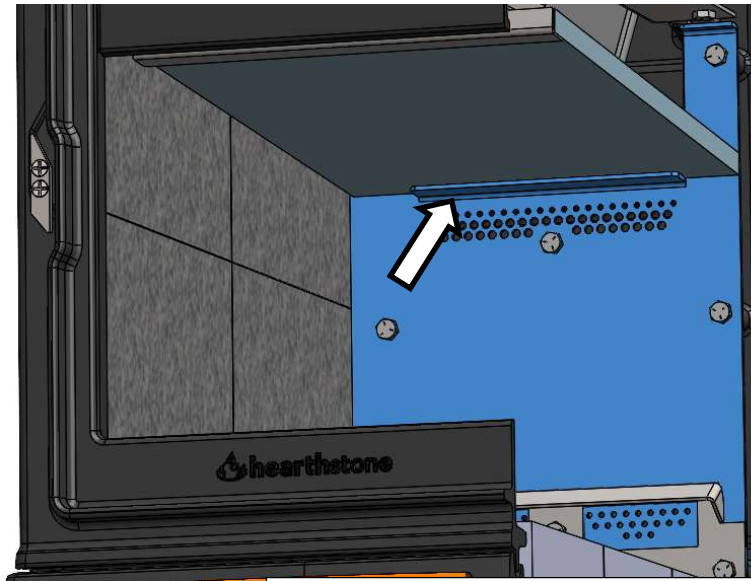
1. Remove the cook plate for easier access to the baffle retainer. Remove the two retaining screws using the 5/32 Allen Wrench and set aside.



2. Reach in through the open front door and locate the front baffle retainer. Push the baffle retainer up, and guide it forward into the slot. Look down through the cook plate hole to easier see the movement of the baffle retainer.

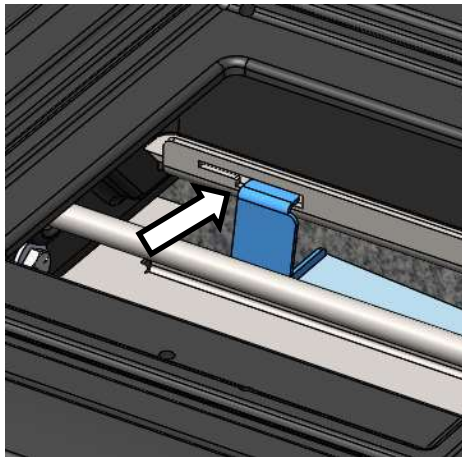


3. With the baffle retainer pushed forward, remove the old baffle.
4. To reinstall the new baffle, begin by putting the back edge of the baffle on the rear baffle shelf.



\*Side of stove removed for clarity

5. Align the front edge of the baffle into the baffle retainer. Push the baffle retainer to the rear of the stove and down into its retaining slot. Look down through the cook plate hole to easier see the movement of the baffle retainer.



6. Reinstall the cook plate after the baffle is replaced. Go through the break in fire procedure as defined in the manual for the initial fire to properly cure the baffle.